

Stainless Steel Grip Handle Weights Convenient Handling and Testing



Best long-term stability

High class polished stainless steel grip handle weights are forged, not cast. Forging closes porosity, avoids sand inclusions from molding and ensures best possible corrosion resistance. Simply put, these polished weights guarantee extreme stability over its entire life span.



Safely boxed and protected

To keep the mirror like polished surface in perfect shape over the entire life span, these weights are delivered in sturdy, stackable and lockable aluminum boxes. Provided nylon gloves assure professional weight handling and meet clean room requirements.



Designed for harsh environment

These sturdy, welded weights with fine-ground, glass bead blasted and passivated surface are designed for heavy-duty operation within harsh environmental conditions. Special passivation treatment of stainless steel ensures long-term corrosion resistance by losing its chemical reactivity.



Traceability through serial number

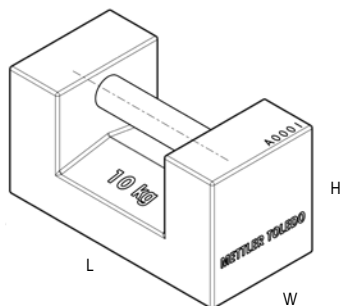
A unique serial number applied by laser technology ensures traceability and allows customers to track serial numbers and assign weights to weighing equipment. Upon request, conventional mass values are reported in certificates, issued under the scope of ISO17025.



Stainless Steel Weights for Scale and Balance Testing

METTLER TOLEDO's grip handle weights are available in nominal values of 1 kg, 2 kg, 5 kg, 10 kg and 20 kg, satisfying maximum permissible errors of OIML classes F1 and M1. While material, surface conditions, density and magnetism meet the same requirements as traditional knob shape weights, the rectangular design allows safe stacking. These weights are the perfect solution for wash-down applications and clean room use in all industries.

High-class Stainless Steel Weights



Technical Specifications

Tolerance MPE	OIML class F ₁ (according to OIML R111-1:2004)
Material, construction	Stainless Steel, forged
Density ρ	7900 kg/m ³ \pm 140 kg/m ³
Susceptibility χ	< 0.2
Polarization $\mu_0 M$	< 25 μ T
Surface	High gloss finish
Adjusting cavity	According OIML, Type 1 (Screwed sealing plug; Stainless Steel)

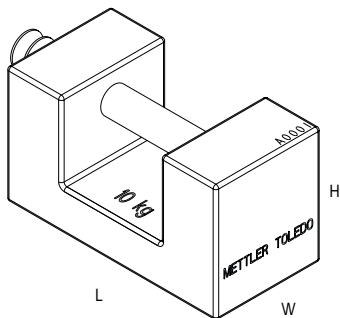
Stainless Steel Grip Handle Weights, high gloss polished

Delivered in aluminum box incl. nylon gloves

Order Number*	Nominal value (kg)	MPE OIML cl. F1 ($\pm \delta m$)	Width (mm)	Length (mm)	Height (mm)
11125424	1 kg	\pm 5 mg	47	94	47
11125425	2 kg	\pm 10 mg	58	112	60
11125426	5 kg	\pm 25 mg	76	150	80
11125427	10 kg	\pm 50 mg	95	191	103
11125428	20 kg	\pm 100 mg	116	230	129

* Please contact your local dealer for order numbers incl. calibration certificate

Standard Stainless Steel Weights



Technical Specifications

Tolerance MPE	OIML class M1 (according to OIML R111-1:2004)
Material, construction	Stainless Steel, welded
Density ρ	7900 kg/m ³ \pm 140 kg/m ³
Susceptibility χ	< 0.8
Polarization $\mu_0 M$	< 250 μ T
Surface	Glass bead blasted, passivated
Adjusting cavity	According OIML, Type 1 (Sealing plug; Aluminum)

Stainless Steel Grip Handle Weights, glass bead blasted, passivated

Delivered in cardboard box

Order Number*	Nominal value (kg)	MPE OIML cl. M1 ($\pm \delta m$)	Width (mm)	Length (mm)	Height (mm)
30013625	1 kg	\pm 50 mg	45	94	46
30013626	2 kg	\pm 100 mg	58	114	58
30006805	5 kg	\pm 250 mg	80	150	78
30006806	10 kg	\pm 500 mg	95	190	106
30006807	20 kg	\pm 1000 mg	116	230	132

* Please contact your local dealer for order numbers incl. calibration certificate

For quotes or technical information regarding weights please use this email address: weights@mt.com

www.mt.com/weights

For more information



Mettler-Toledo AG

Laboratory & Weighing Technologies

CH-8606 Greifensee

Tel. +41-44-944 22 11

Fax +41-44-944 31 70

Subject to technical changes

© 11/2011 Mettler-Toledo AG

Printed in Switzerland 30003808

Global MarCom Switzerland