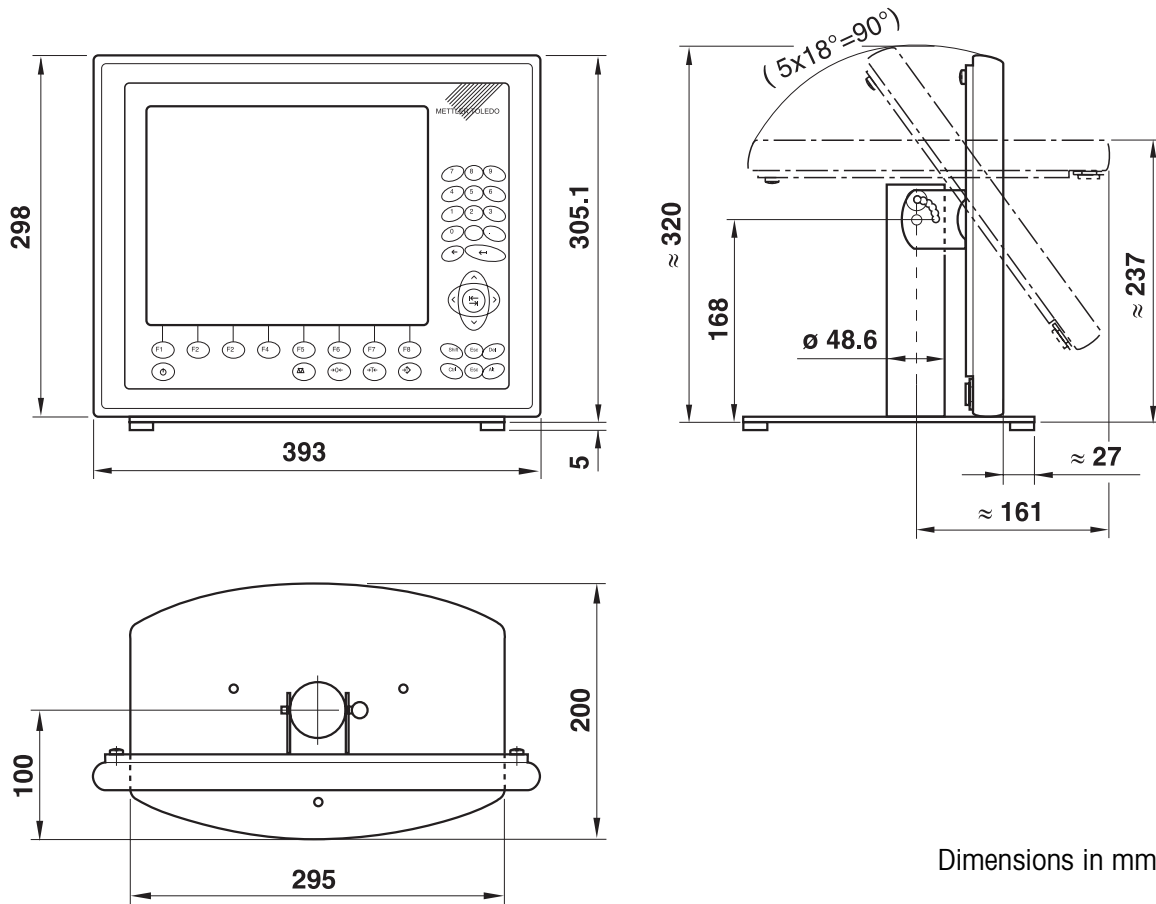
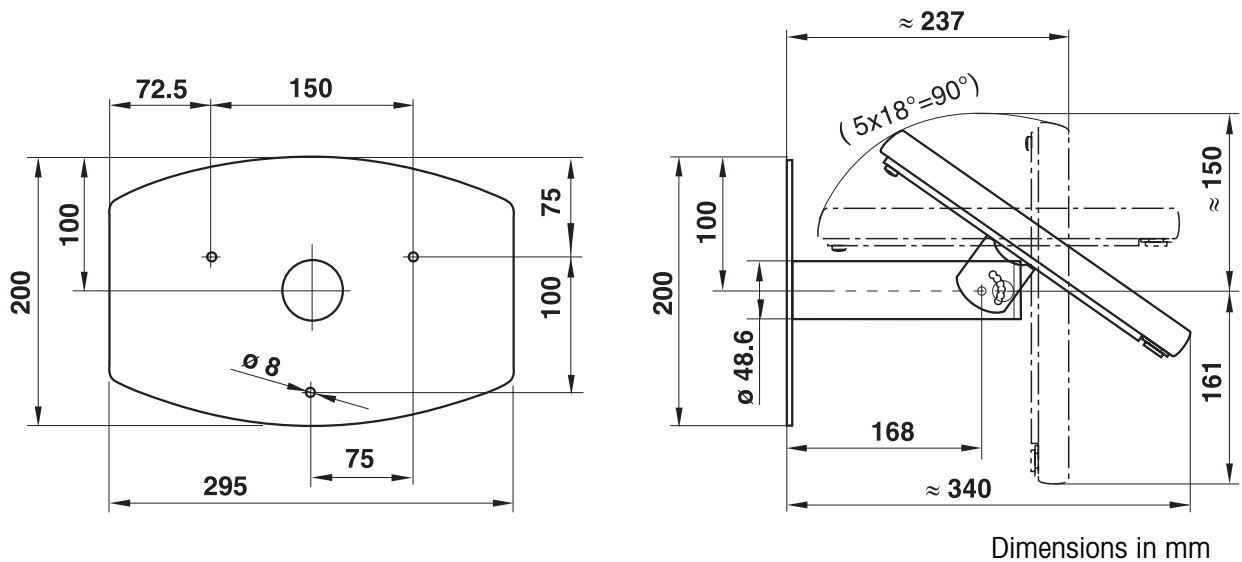


Dimensional drawing – table stand 12.1"



Dimensions in mm

Dimensional drawing – wall stand 12.1"



Dimensions in mm