

HACCP

IP69K

EHEDG



BBA330 and BBA335

- Ideal for hygienically sensitive areas
- Industrial strength quality
- Easy to clean

- Fast and accurate
- Water and dustproof
- Economical
- Easy handling
- Stainless steel design
- Certified quality

**The best choice
whatever your business**

METTLER TOLEDO



For use in hygienically sensitive applications

Meeting the highest demands and requirements for hygiene is particularly important in the food and pharmaceutical industries. The BBA330/BBA335 scales, specially developed for these hygienically sensitive areas, set a standard in ease of cleaning thanks to their IP69K protection rating.

Functions

- Simple weighing
- Static check weighing
- Dispensing
- Data transfer

Applications

- Food industry
- Chemical/Pharma industry
- Goods receiving/dispatching
- Rugged/harsh environments



Product features

- Certified for use in the food and pharmaceutical industries
- Meets the IP69K protection standards and consequently protected against steam and high-pressure cleaning as well as chemical cleaning agents
- Weighing platforms with hermetically sealed stainless steel load cells, are also rated IP68 immersion protection
- Complete V2A steel construction
- Comprehensive range of products: 7 weighing ranges (3 – 600kg), 5 platform sizes (240 x 300mm – 600 x 800mm)

Thanks to their stainless steel construction, designed for easy cleaning and disinfection the METTLER TOLEDO BBA330/BBA335 scales don't give contamination or corrosion a chance.

They are also suitable for working under HACCP (Hazard Analysis Critical Control Point) requirements and for GMP (Good Manufacturing Practice).

The METTLER TOLEDO BBA330/BBA335 scales are manufactured according to the recognised EHEDG (European Hygienic Engineering & Design Group) guidelines and are designed for particularly critical food areas, for example meat, fish, poultry, fruit and vegetable processing or for use in dry areas such as bakeries.

Simple to operate even under difficult conditions

The easy-to-read, 6-digit, vacuum fluorescent display and the clearly marked LED control lamps support you in your daily work.

Difficult conditions call for easy operation. This is where the BBA330/BBA335 scales excel. Clearly structured keys with tactile touch action and a numerical keypad (BBA335) make the BBA330/BBA335 scales a reliable partner in all applications.

Effective and efficient

Easy to clean, low maintenance costs, fast and precise results as well as superior, corrosion-free, industrial strength METTLER TOLEDO quality at an affordable price render the METTLER TOLEDO BBA330/BBA335 scales an economical and universal tool for your everyday work.



BBA335 display



BBA330 display

IP69K



Specifications

Compliance:

Certified to OIML Class III, 3000e

Protection:

Scales and weighing platforms have been successfully tested to IP69K (according to DIN40050, Chapter 9). The weighing platforms also meet IP68 criteria

Construction:

Scales made completely of V2A stainless steel (14301 Aisi304). For higher requirements regarding corrosion resistance, an optional platform made of V4A stainless steel (14571 Aisi316Ti) is also available

Operating temperature:

-10° C to +40° C / 10 to 95% air humidity

Display:

6-digit vacuum fluorescent display with 5 LED control lamps (red, yellow, green)

Polycarbonate window

Keypad:

Large, clearly marked keys with tactile touch action

BBA330: Zero, tare, delete, target value, unit change, transfer

BBA335: As above plus memory button and numerical keypad

Units:

kg, g, lb, oz, t, ton

Power supply:

230VAC, 50mA, 50Hz

Data interface:

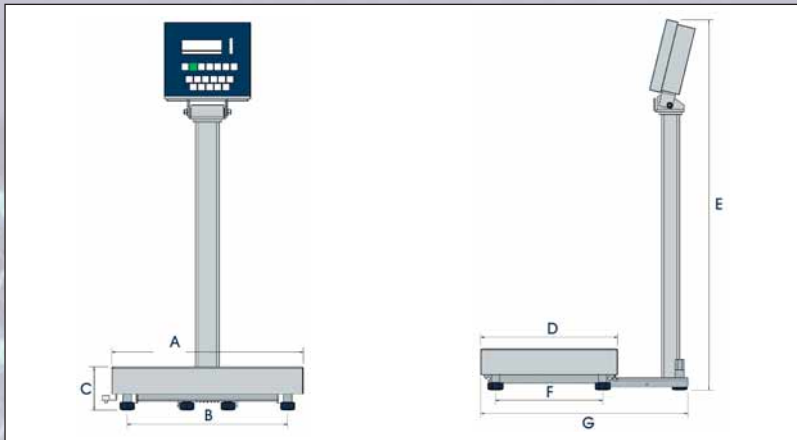
Bi-directional RS232S interface

(standard)

Technical data

Model	Capacity (in kg)	Resolution standard 3000e (in g)	Resolution maximal 6000d (in g)	Calibration value	Initial load (max. in kg)	Stand height (in mm)	Weight gross/net (in kg)
BBA33...A3	3	1	–	1	3	330	12,1/8,5
BBA33...A6	6	2	1	2	1,5	330	12,1/8,5
BBA33...A15	15	5	2	5	3,5	330	12,1/8,5
BBA33...BB30	30	10	5	10	10	330	13,7/10,7
BBA33...B30	30	10	5	10	6	330	19,0/16,0
BBA33...BB60	60	20	10	20	30	330	13,7/10,7
BBA33...B60	60	20	10	20	25	330	19,0/16,0
BBA33...BC60	60	20	10	20	20	660	34,3/31,3
BBA33...CC60	60	20	10	20	15	660	61,2/39,8
BBA33...B150	150	50	20	50	30	330	19,0/16,0
BBA33...BC150	150	50	20	50	60	660	34,3/31,3
BBA33...CC150	150	50	20	50	50	660	61,2/39,8
BBA33...BC300	300	100	50	100	150	660	34,3/31,3
BBA33...CC300	300	100	50	100	100	660	61,2/39,8
BBA33...CC600	600	200	100	200	120	660	61,2/39,8

Dimensions



Model	A (in mm)	B (in mm)	C (in mm)	D (in mm)	E (in mm)	F (in mm)	G (in mm)
BBA33...-A...	300	235	95	240	485	175	386
BBA33...-BB...	400	333	97	300	485	235	448
BBA33...-B...	500	433	100	400	485	335	548
BBA33...-BC...	650	584	108	500	815	435	648
BBA33...-CC...	800	720	130	600	815	505	748



Quality certificate. Development, production and testing according to ISO9001. Environmental management system according to ISO14001.



Worldwide service. Our extensive service network is among the best in the world and ensures maximum availability and service life of your product.



Available in an approved version

Would you like to know more about the BBA330/BBA335 scales?



European conformity. The CE conformity mark provides you with the assurance that our products comply with the most recent EU directives.



On the Internet: You will quickly find lots of essential information about our products, our services, and our company at <http://www.mt.com>

AT Mettler-Toledo Ges.m.b.H., A-1100 Wien
Tel. +43-1-604 19 80, Fax +43-1-604 28 80

BE N.V. Mettler-Toledo S.A., B-1932 Zaventem
Tel. +32-2-334 02 11, Fax +32-2-334 03 34

CH Mettler-Toledo (Schweiz) AG, CH-8606 Greifensee
Tel. +41-1-944 45 45, Fax +41-1-944 45 10

CZ Mettler-Toledo, s.r.o., CZ-10000 Praha 10
Tel. +420-2-72 123 150, Fax +420-2-72 123 170

DE Mettler-Toledo GmbH, D-35396 Giessen
Tel. +49-641-507 0, Fax +49-641-529 51

DK Mettler-Toledo A/S, DK-2600 Glostrup
Tel. +45-43-27 08 00, Fax +45-43-27 08 28

ES Mettler-Toledo S.A.E., E-08908 Barcelona
Tel. +34-93-223 76 00, Fax +34-93-223 76 01

FR Mettler-Toledo s.a., F-78222 Viroflay Cedex
Tel. +33-1-3097 1717, Fax +33-1-3097 1773

HR Mettler-Toledo d.o.o., HR-10000 Zagreb
Tel. +385-1-292 06 33, Fax +385-1-295 81 40

HU Mettler-Toledo, Kft, H-1139 Budapest
Tel. +36-1-288 40 40, Fax +36-1-288 40 50

IT Mettler-Toledo S.p.A., I-20026 Novate Milanese
Tel. +39-02-333 321, Fax +39-02-356 2973

NL Mettler-Toledo B.V., NL-4004 HA Tiel
Tel. +31-344 63 8363, Fax +31-344 63 8390

NO Mettler-Toledo A/S, N-1008 Oslo
Tel. +47-22-30 44 90, Fax +47-22-32 70 02

PL Mettler-Toledo, Sp. z o.o., PL-02-924 Warszawa
Tel. +48-22-651 92 32, Fax +48-22-651 71 72

RU Mettler-Toledo C.I.S., 101000 Moscow
Tel. +7-095-921 92 11, Fax +7-095-921 63 53

SE Mettler-Toledo AB, S-12008 Stockholm
Tel. +46-8-702 50 00, Fax +46-8-642 45 62

SK Mettler-Toledo s.r.o., SK-82 104 Bratislava
Tel. +421-2-434 274 96, Fax +421-2-433 371 90

SI Mettler-Toledo, d.o.o., SI-1236 Trzin
Tel. +386-1-562 18 01, Fax +386-1-562 17 89

UK Mettler-Toledo Ltd., Leicester, LE4 1AW
Tel. +44-116-235 70 70, Fax +44-116-236 55 00

For all other countries:

Mettler-Toledo GmbH

PO Box VI-400, CH-8606 Greifensee

Tel. +41-1-944 22 11, Fax +41-1-944 31 70

This brochure is printed on environmentally friendly paper.

Subject to technical changes:
© Mettler-Toledo GmbH 01/05
Printed in Germany
MTSI 22011047